



Strong Mechanism

Intense Usage

Trouble-free Long Years

Vandal-proof

Reliable

Spare Parts Support

Indoor & Outdoor Conditions

T 345 ECO

ELECTROMECHANIC TURNSTILE

T 345 ECO ELECTROMECHANIC TURNSTILE

T 345 ECO tripod turnstile provides the basic access control solution to secure various locations worldwide. The mechanism is designed and manufactured by MAKİM to ensure long years of trouble free use, especially for locations with intense passage flows.

Application

T 345 ECO can be installed and used trouble-free in various locations like public transportation terminals, universities, banks, business centers, museums, sport centers and amusement parks etc.

Basic Materials

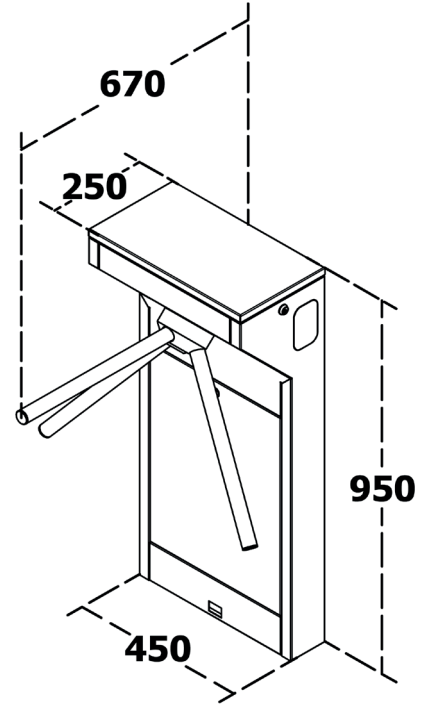
T 345 ECO is produced in AISI 304 stainless steel. All arms and body are made of stainless steel and the core is made of aluminum material against corrosion. T 345 ECO is an affordable single legged turnstile for use in narrow spaces. The inner main mechanism of T 345 ECO is produced with special investment casting technology, which makes the whole system a lot more robust and lasting. The electronic boards are designed by the qualified engineers of Makim, enabling T 345 ECO operate in various modes and integrations.

General Usage

T 345 ECO electromechanic turnstile operates bidirectionally. Any kind of access control system like card reader, biometric reader, remote control unit or push button can be integrated to T 345 ECO via simple dry-contact. Once the access right is granted, user should touch slightly to T 345 ECO arm in order to make it rotate. After the tripods complete one turn, T 345 ECO is automatically locked. If the user does not use the passage right in 15 seconds, T 345 ECO will give buzzer warning and it will be locked. Status indicator LED lights are located on both sides of T 345 ECO, in green arrow and red cross shape to show allowed passage directions. Passage rate is upto 30 person/minute.

Safety

In case of power cut, T 345 ECO is unlocked to allow free rotation of the arms in both sides. As an optional, Makim can produce T 345 ECO with drop-arm mechanism. In this case, once T 345 ECO receives a signal from the emergency system, the blocking arm will drop to provide a completely free passage lane for quick evacuation of the area.



Control /Operation Voltage	100-230 VAC 50/60 Hz
Power Consumption	30 W
Operation Temperature	- 20° C - + 70° C With Optional Heater - 30° C
Passage Speed	30 P / Min.
Passage Range	Min. 42 cm / Max. 47 cm
Weight	28 Kg
Usage Arega	Indoor / Outdoor (If the cover is silikon)
Optional Accessories	Drop-arm, remote control, button unit, card reader,biometric reader, counter, coin mechanism
Protection	IP 54
Security Level	●●●●○